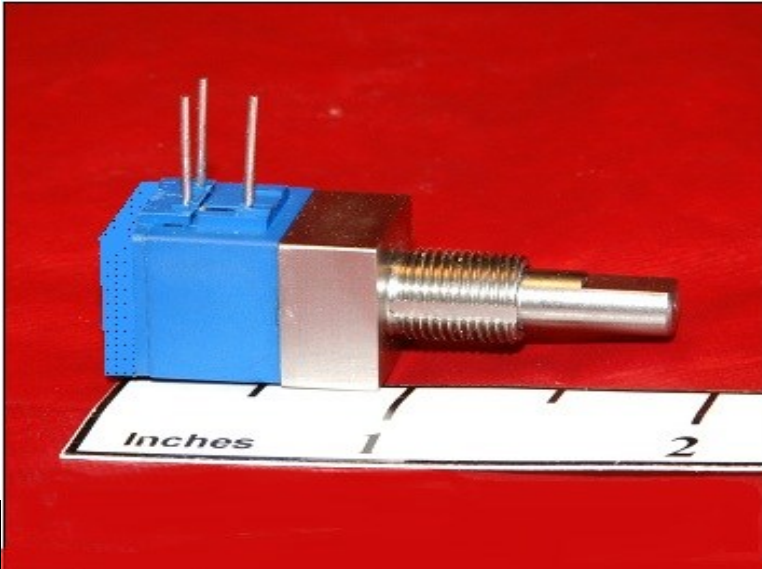




PRECISION ROTARY POTENTIOMETERS



- Unique Design Gives The Most Functionality in the Least Space & Weight
- Can Be Switched On and Off
- Stainless Steel or Aluminum Bushings
- Concentric Shafts
- The Best Choice Where A Custom Rotary Potentiometer is Required
- Contact Factory for Custom Stops, Detents and Limit Switches
- Mil Spec Designs Available

Mechanical Specifications:

- Post panel depth (1 deck): .750" max.
- Mechanical travel: 300° standard - custom stops available
- Detent index angle: Choice of no detent or 15°, 30° or 50% of mechanical travel
- Rotational life: 100,000 life cycle minimum
- Rotational torque: 2 - 16 in-oz.
- Stop strength: 15.0 in-lbs. minimum

Electrical Specifications:

- Electrical travel: 240° standard
- Load life: 1000 hours
- Taper type: Linear or Audio
- Total resistance: Up to 50KΩ
- Total resistance tolerance: +/- 10%
- Independent linearity: +/- 5%
- Power rating at 70°C:
 - Single section assembly:
 - Linear taper: up to 2 watts
 - Audio taper: up to 1 watts
 - Multiple section assembly:
 - Linear taper: up to 1 watt/section
 - Audio taper: up to .5 watt/section
- Insulation resistance: 1000 Megaohms minimum IAW MIL-STD-202, Method 302, Test condition A
- Dielectric strength: 750 VRMS IAW MIL-STD-202, Method 301 (Shaft & terminals)

Environmental Specifications:

- Altitude: 70,000 feet
- Temperature: +1°C to +125°C (working)
-65°C to +125°C (storage)
- Shock (single section): 30 G's +/- 5%
- Vibration (single section): 15 G's +/- 5%
- Moisture resistance: IAW MIL-STD-202, Method 103, Test condition B
- Salt spray: IAW MIL-STD-202, Method 101, Test condition B
- Sand and Dust: IAW MIL-STD-202, Method 110, Test condition B

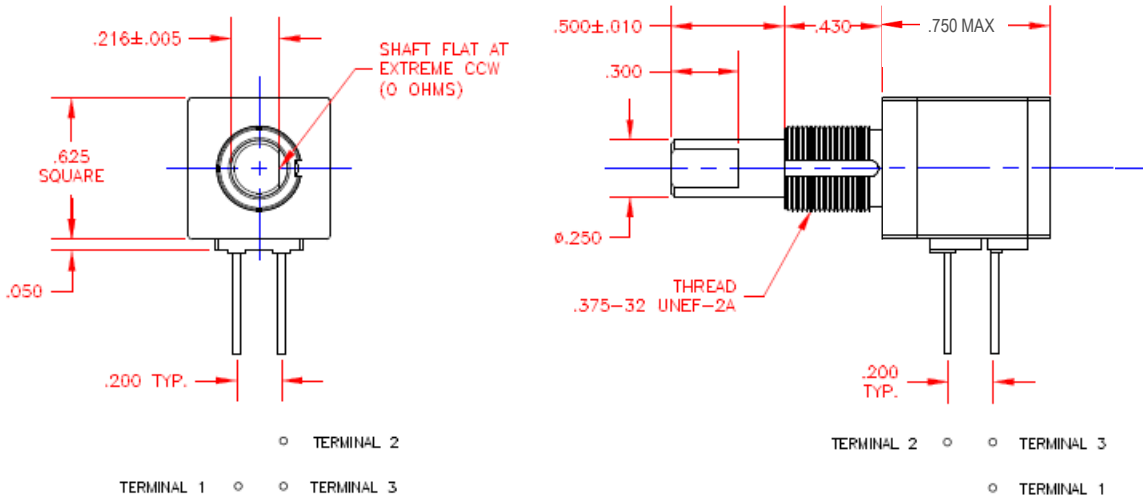
Material Specifications:

- Molded parts: Thermoplastic
- Machined parts: Stainless steel and non-corrosive materials
- Contact: Beryllium copper with gold plating
- Hardware: Cadmium plated brass (nut and washer)

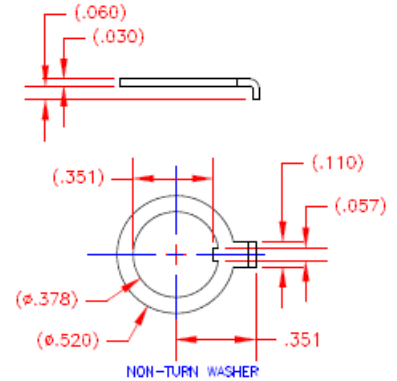
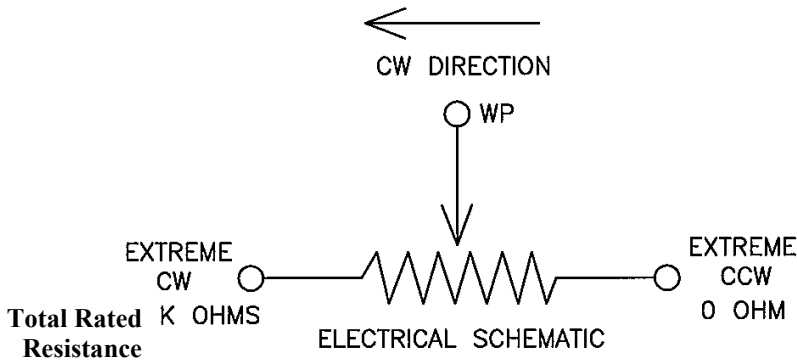
Applications

- Avionics Panels
- Display Systems
- Portable Equipment
- Flight Deck Instrumentation
- Medical Instrumentation
- Entertainment Equipment
- High Reliability Controllers
- Signal Processing Equipment
- Rugged Instrumentation
- Cockpit Displays
- Navigation Equipment
- Patient Monitors

DIGITRAN SERIES 41 (LOW PROFILE) ROTARY POTENTIOMETERS



Note: Add 0.4" in length for each additional deck.



ORDERING GUIDE

41X - XX X - XXX - XX XX

411= Stainless Steel Bushing
412= Aluminum Bushing

DETENT ANGLE (no detent = 00°, or 15°, 30°, 90°)

NUMBER OF DECKS (4 Decks Max)

RESISTANCE (10 = linear, 20 = logarithmic)

TERMINAL STYLE (1=Solder Lugs, 2= PCB Pins)

RESISTANCE (08 = 500 Ω, 10 = 1K Ω, 13= 5K Ω, 15= 10K Ω)

MIL SPEC (M*=Full MILSpec Compliant, X=Non-Mil) All units, M or X, Have Shaft & Panel Seal.

SHAFT TYPE (S = Single, D = Concentric)

Questions? Contact Digitran Sales Department at extension 3223, or via email at "sales@digitran-switches.com"