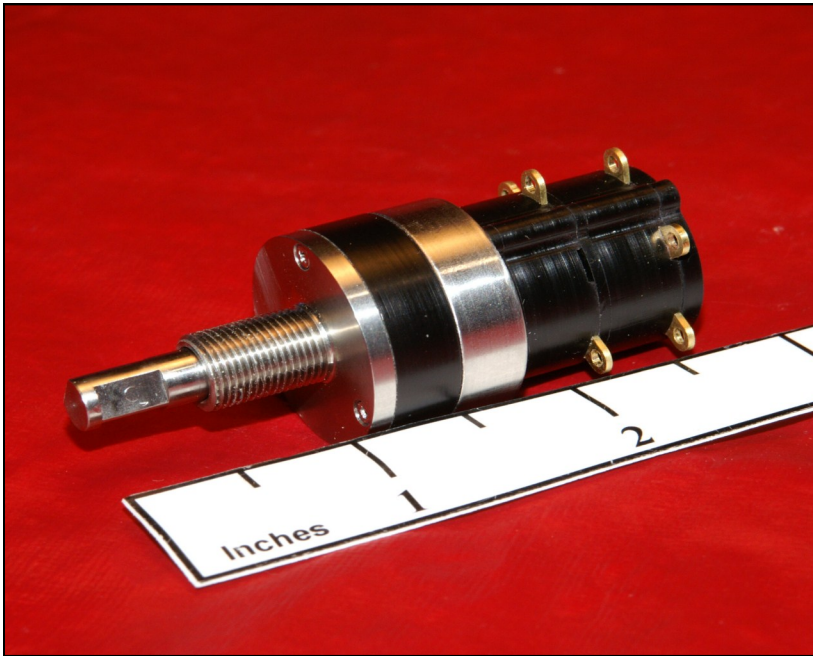




PRECISION ROTARY SWITCHES MEDIUM TO HIGH CURRENT SERIES



- Meets or exceeds MIL-DTL-3786 Requirements
- Custom Features: Push/Pull to Turn
- Bushing Diameter: 3/8 Inch
- Shaft Diameter: 1/4 Inch
- Switch: 3 Amp 28VAC/DC; 10 Amp Continuous
- 20,000 Cycle Life Minimum
- Choice of 30°, 36°, 45°, 60°, 90° Indexing
- Direct Output, With or Without Stops
- Silver/Silver Alloy Contacts
- All Military Spec Materials

Mechanical Specifications:

- Post panel depth for 1 deck: 1.03" max.
- Rotational life: 15,000 life cycle minimum
- Rotational torque: 8-32 in-oz.
- Stop strength: 15.0 in-lbs. minimum

Electrical Specifications:

- Electrical life (under load): 15,000 cycles min.
- Switching current: 3 A @ 28 VDC resistive
- Non-switch (continuous): 10A @ 28 VDC
- Contact style: Non-shorting or shorting
- Contact resistance: 10 mΩ max initial
50 mΩ max after life
- Insulation resistance: 1000 Megohms minimum IAW MIL-STD-202, Method 302, Test condition A
- Dielectric strength: 750 VRMS IAW MIL-STD-202, Method 301 (Shaft and terminals)

Environmental Specifications:

- Altitude: 70,000 feet
- Temperature: -60°C to + 85°C (working)
-65°C to + 125°C (storage)
- Thermal shock: -55°C to +85°C per MIL-STD-202, Method 107, Test condition A
- Shock: 100 G's, 6 milliseconds IAW MIL-STD-202, Method 213, Test condition I
- Vibration: 15 G's at 70—2000 Hz; .06" double amplitude at 10 - 70 Hz MIL-STD-202, Method 204, Test condition B
- Explosion proof: IAW MIL-STD-202, Method 109 with test load
125 mA @ 28 VDC
- Salt spray: IAW MIL-STD-202, Method 101, Test condition B
- Sand and Dust: IAW MIL-STD-202, Method 110, Test condition B
- EMI/RFI Shielding: IAW MIL-DTL-3786 with 2 ohms shaft to ground

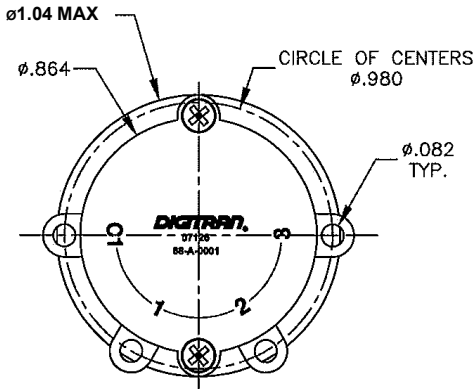
Material Specifications:

- Molded parts: Thermoplastic
- Machined parts: Stainless steel and non-corrosive materials
- Contact and terminals: Silver and Silver alloy
- Hardware: Cadmium plated brass (nut and washer)

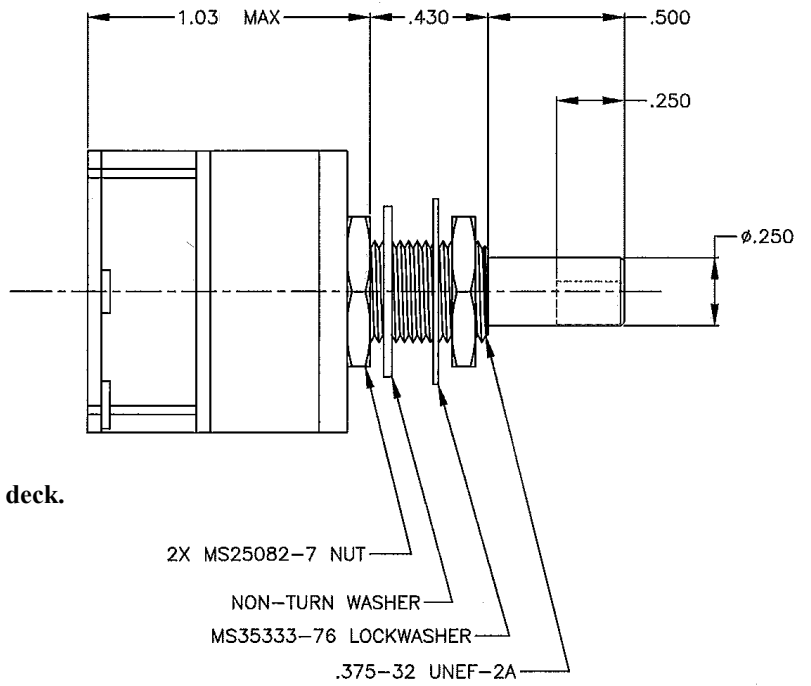
Applications

- Avionics Panels
- Display Systems
- Flight Deck Instrumentation
- Entertainment Equipment
- High Reliability Controllers
- Signal Processing Equipment
- Rugged Instrumentation
- Cockpit Displays
- Navigation Equipment

DIGITRAN SERIES 68 - MEDIUM TO HIGH CURRENT ROTARY SWITCHES



Note: Add 0.5" in length for each additional deck.

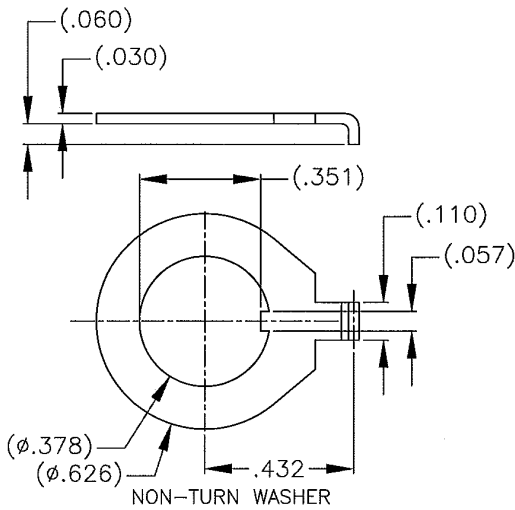


- 2X MS25082-7 NUT
- NON-TURN WASHER
- MS35333-76 LOCKWASHER
- .375-32 UNEF-2A

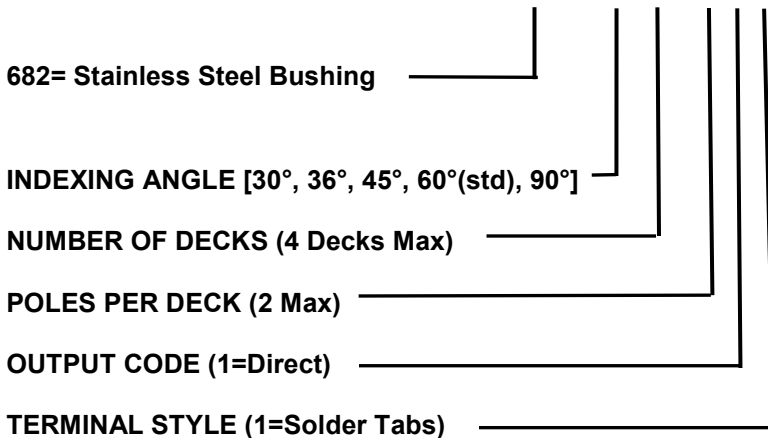
Notes:

1. Dimensions: Inches
2. Tolerances: in $\pm .010$
3. Shaft flat is opposite made position
4. Shaft flat: .250" L x .031" W
5. Decks numbered out from panel
6. Hardware included with switch

Specifications Subject
To Change Without Notice



ORDERING GUIDE 682 - XX X - X 1 1 - X X XX



STOP FEATURES:

With S (stop feature): For this option, add number of active positions for switch. For example, S5 means stops between positions 1 and 5.

With C (continuous): Full turn without stops.

MIL SPEC (M*=Full MIL-DTL-3786 Compliant, X=Non-Mil) All units, M or X, Have Shaft & Panel Seal.

CONTACT STYLE (N=Non-Shorting, S=Shorting)

§ Customer To Specify Requirements By Notes or Drawing

Questions? Contact Digitran Sales Department at extension 3223, or via email at "sales@digitran-switches.com"